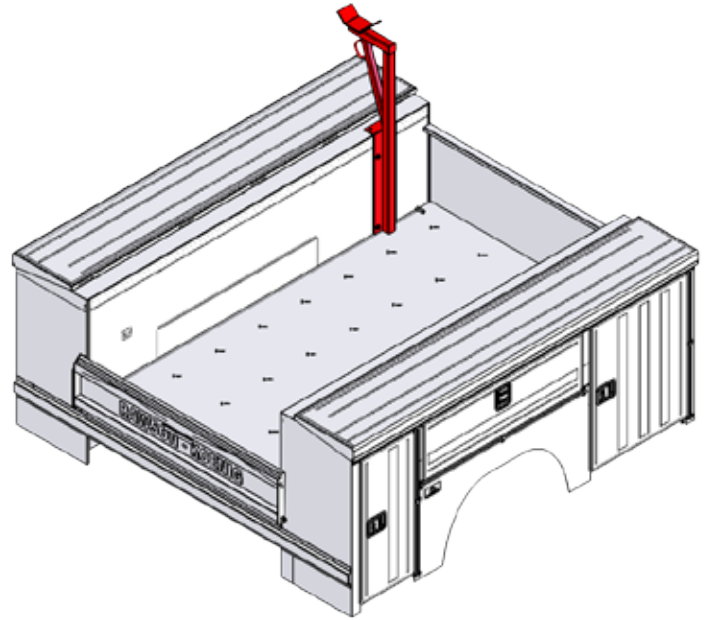




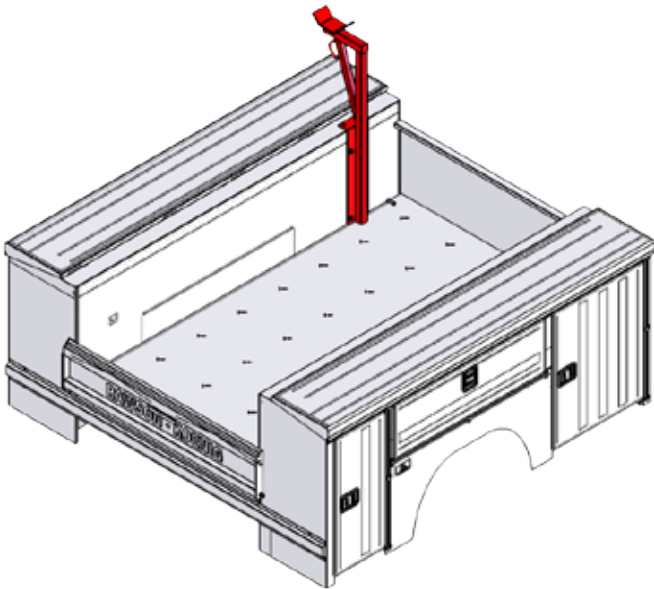
BMS1

Boom support for 2,500 to 4,000 lb. capacity cranes when mounted on a U, L, S, C and E-Series service body - not installed.



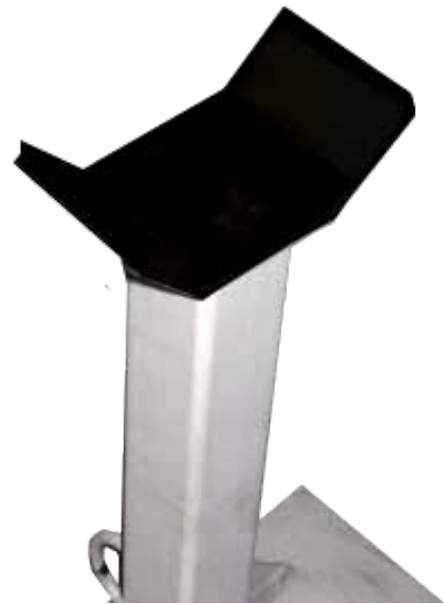
BMS2

Boom support for 2,500 to 4,000 lb. capacity cranes when mounted on a T-Series 14 1/2" wide compartment service body - not installed.



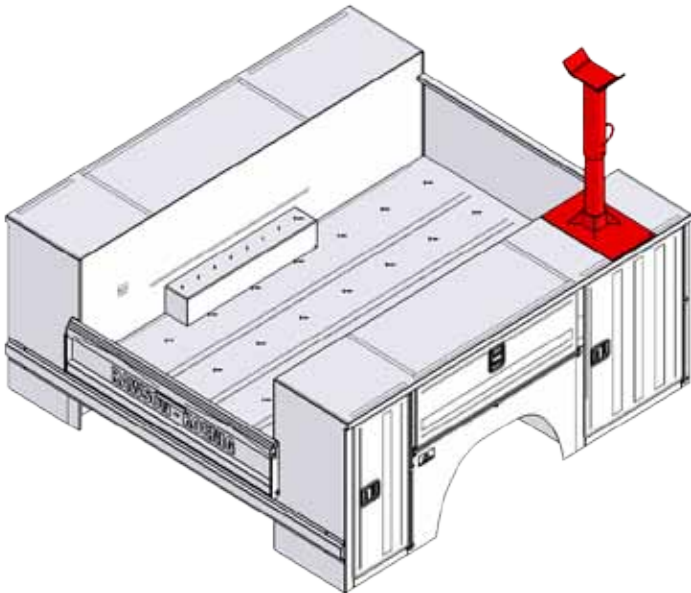
BMS3

Boom support for 2,500 to 4,000 lb. capacity cranes when mounted on a T-Series 20" wide compartment service body - not installed.



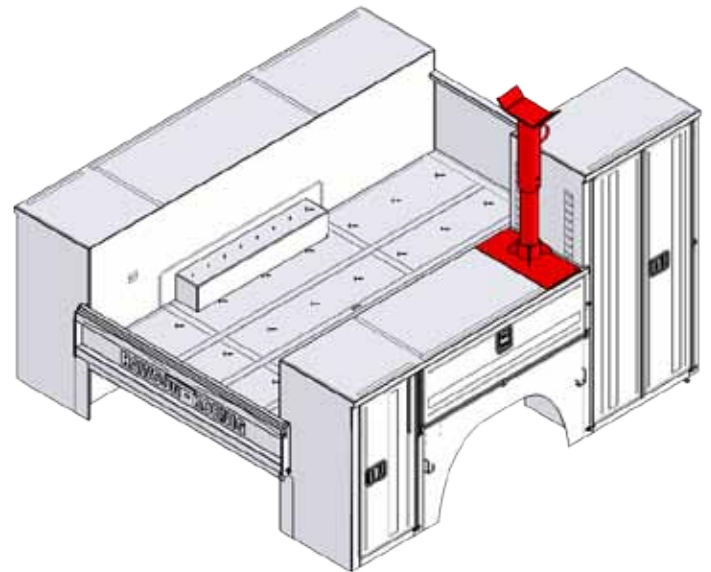
BMS1HD

Boom support for 5,000 to 6,400 lb. capacity cranes when mounted on a C or CA-Series service body - not installed.



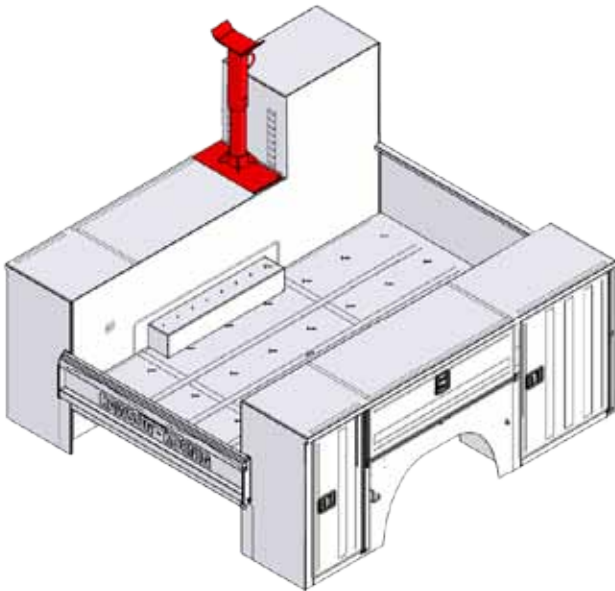
BMS1HD-ADJ

Adjustable boom support for 5,000 to 6,400 lb. capacity cranes when mounted on a C or CA-Series service body - not installed.



BMS1HD-RFCC

Adjustable boom rest for RFCC.



BMS1HD-RFCS

Adjustable boom rest for RFCS.

BMA1

Boom anchor for securing boom on 3,000 lb. and smaller capacity cranes when mounted on a service body - not installed.