



# COMMERCIAL GRADE TRUCK EQUIPMENT

## Crane Features

### RKI Cranes

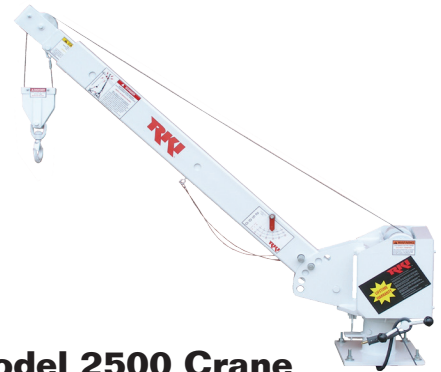
- Lift capacity ranging from 2,000 to 4,000 pounds
- Quality workmanship built to last
- All cranes meet or exceed OSHA 1910.180 requirements.
- Lifetime warranty



**Model 2000 Crane**

Specifications				
	Model 2000-3-5	Model 2000-3-7	Model 2000-3-5S	Model 2000-3-7S
Hoist	Power	Power	Power	Power
Rotation	Manual	Manual	Manual	Manual
Rotation Brake	Mechanical	Mechanical	Mechanical	Mechanical
Boom Elevation	Manual w/assist	Manual w/assist	Manual w/assist	Manual w/assist
Boom Extension	Manual	Manual	Manual	Manual
Retracted Length	56"	67"	56"	67"
Extended Length	80"	102"	80"	102"
Overall Height	64"	70"	30"	30"
Overall Height Folded	51"	57"	N/A	N/A
Overall Width	15"	15"	15"	15"
Approximate Weight	273 lbs.	296 lbs.	247 lbs.	258 lbs.
Shipping Weight	305 lbs.	328 lbs.	279 lbs.	290 lbs.

Specifications	
	Model 2500-3-9
Hoist	Power
Rotation	Manual with brake
Boom Elevation	Manual
Boom Extension	Manual
Retracted Length	80"
Extended Length	122"
Overall Height	21"
Overall Width	17"
Approximate Weight	256 lbs.
Shipping Weight	378 lbs.



**Model 2500 Crane**



**Model 3200 Crane**

Specifications		
	Model 3200-3ER15	Model 3200-3ERX15
Hoist	Power	Power
Rotation	Power	Power
Boom Elevation	Power	Power
Boom Extension	Manual	Power
Retracted Length	97"	97"
Extended Length	193"	193"
Overall Height	34"	34"
Overall Width	15"	15"
Approximate Weight	605 lbs.	706 lbs.
Shipping Weight	746 lbs.	856 lbs.
Elevation Travel	-5° thru 75°	-5° thru 75°



# COMMERCIAL GRADE TRUCK EQUIPMENT

## Crane Features

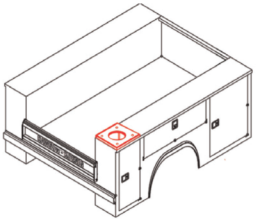
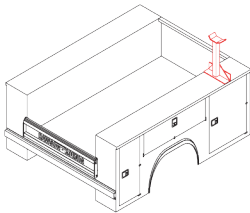
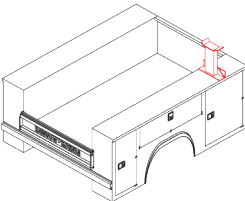
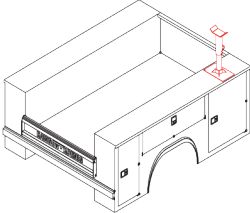
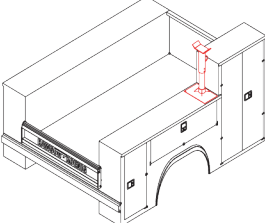
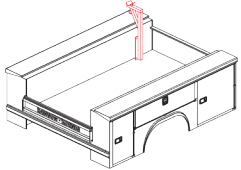
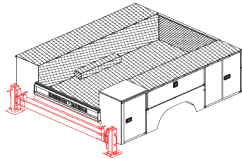
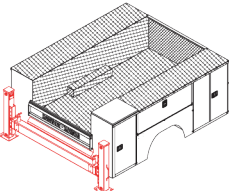
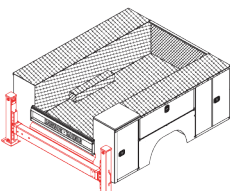
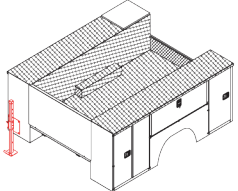


**Model 4000 Crane**

Specifications	
	Model 4000-4ERX18
Hoist	Power
Rotation	Power
Boom Elevation	Power
Boom Extension	Power
Retracted Length	10' 2"
Extended Length	20' 2"
Overall Height	2' 10"
Overall Width	1' 8"
Elevation Travel	-5° thru 75°
Approximate Weight	915 lbs
Shipping Weight	1090 lbs

## Crane Accessories

RKI offers a full line of accessories to complement your RKI crane. Because we know that proper crane accessories mean maximum performance, our engineers spend extra time designing the best accessory products to help you get your job done right. When you use your RKI crane with the correct accessories and enhancements, it becomes an even more versatile and productive tool.

Pre-Lasered Crane Mounting Holes	BMS1	BMS1HD - Heavy Duty	BMS1HD-ADJ - Heavy Duty Adjustable	BMS1HD-RFCC for Curbside BMS1HD-RFCS for Streetside
				
BMS2 for 14 1/2" Compartment Depth BMS3 for 20" Compartment Depth	Manual Out, Manual Down	Manual Out, Hydraulic Down	Hydraulic Out, Hydraulic Down	Front
				
JKL1 - Breakover Jackleg	JKL2 - Crank Type Jackleg	JKL3 - Screw Type Jackleg		
