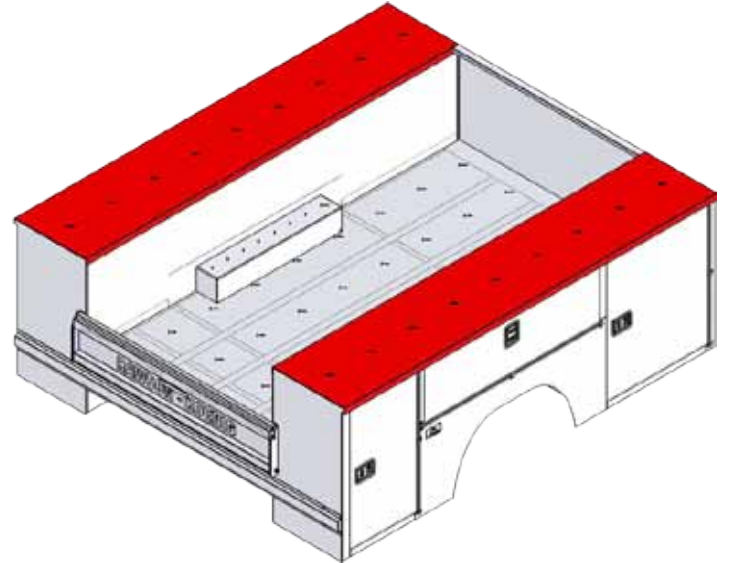
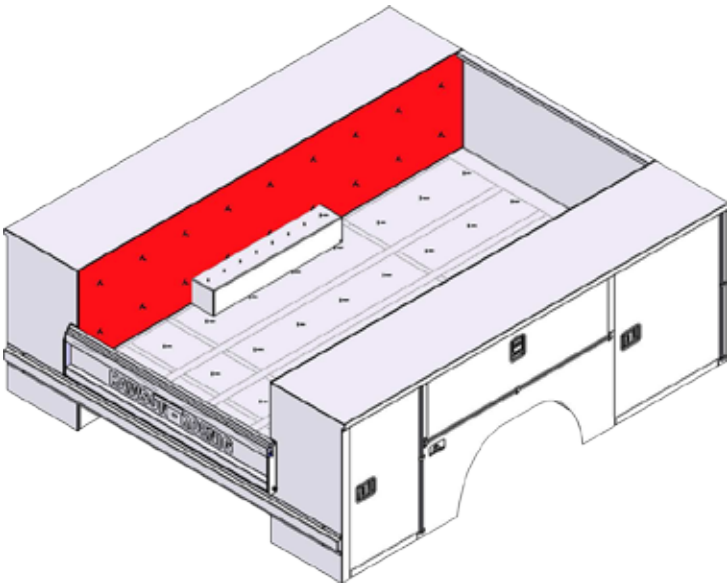


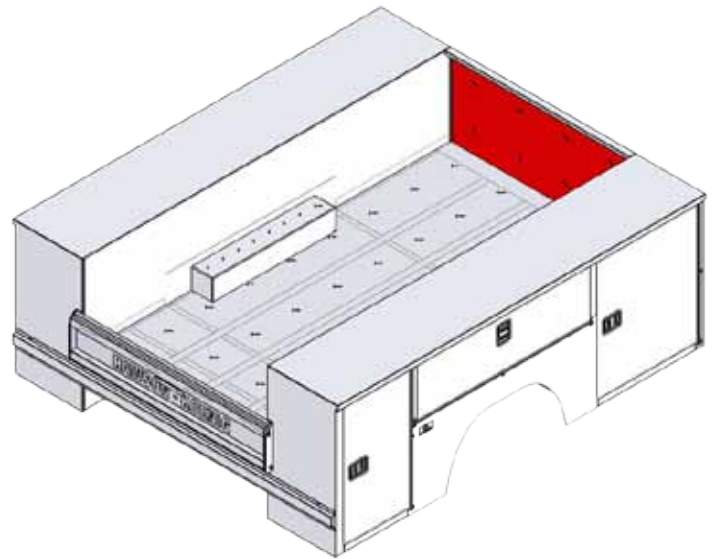
Compartment Rear Liner



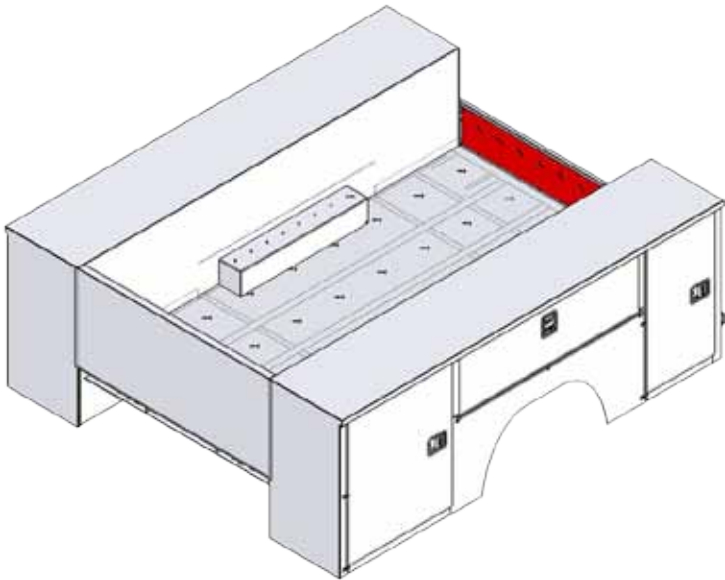
Compartment Top Liner



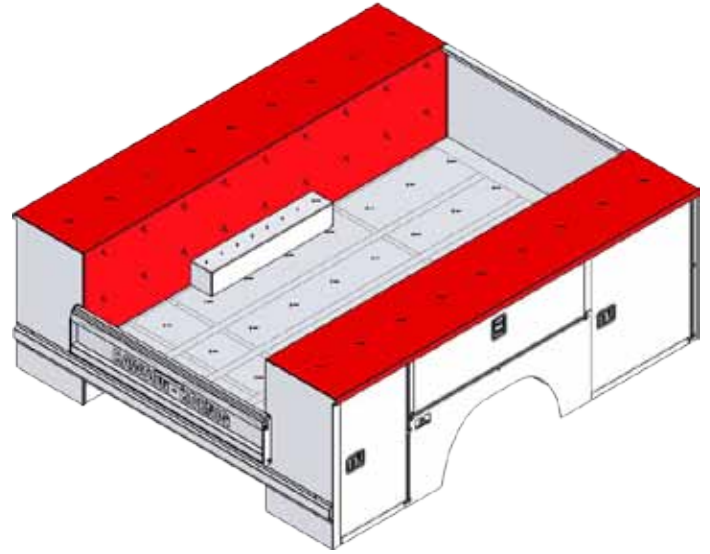
Compartment Wall Liner



Front Panel Liner



Tailgate Liner



Compartment Top & Wall Liner

| Application | Front Panel Liner | Rear Liner * | Compartment Tailgate Liner | Compartment Top Liner * | Compartment Wall Liner * | Compartment Top & Wall Liner * |
|-------------|-------------------|--------------|----------------------------|-------------------------|--------------------------|--------------------------------|
| L4080 | LFP5124 | LCR1424 | LTGSL51 | LCT8014 | LCW8024 | LTW801424 |
| S4080 | LFP5129 | LCR1429 | LTGSL51 | LCT8014 | LCW8029 | LTW801429 |
| T4080 | LFP5124 | LCR1424 | LTGSL51 | N/A | N/A | LTW80T24 |
| L4280 | LFP5124 | LCR1424 | LTGSL51 | LCT8014 | LCW8024 | LTW801424 |
| S4280 | LFP5129 | LCR1429 | LTGSL51 | LCT8014 | LCW8029 | LTW801429 |
| T4280 | LFP5124 | LCR1424 | LTGSL51 | N/A | N/A | LTW80T24 |
| U5680 | LFP5119 | LCR1419 | LTGSL51 | LCT9614 | LCW9619 | LTW961419 |
| J5680 | LFP5119 | LCR1419 | LTGSL51 | N/A | N/A | LTW96T19 |
| L5680 | LFP5124 | LCR1424 | LTGSL51 | LCT9614 | LCW9624 | LTW961424 |
| S5680 | LFP5129 | LCR1429 | LTGSL51 | LCT9614 | LCW9629 | LTW961429 |
| T5680 | LFP5124 | LCR1424 | LTGSL51 | N/A | N/A | LTW96T24 |
| U56D94 | LFP6519 | LCR1419 | LTGSL65 | LCT9614 | LCW9619 | LTW961419 |
| J56D94 | LFP6519 | LCR1419 | LTGSL65 | N/A | N/A | LTW96T19 |
| L56D94 | LFP6524 | LCR1424 | LTGSL65 | LCT9614 | LCW9624 | LTW961424 |
| S56D94 | LFP6529 | LCR1429 | LTGSL65 | LCT9614 | LCW9629 | LTW961429 |
| T56D94 | LFP6524 | LCR1424 | LTGSL65 | N/A | N/A | LTW96T24 |
| U56DW94 | LFP5419 | LCR2019 | LTGSL54 | LCT9620 | LCW9619 | LTW962019 |
| J56DW94 | LFP5419 | LCR2019 | LTGSL54 | N/A | N/A | LTW96TW19 |
| L56DW94 | LFP5424 | LCR2024 | LTGSL54 | LCT9620 | LCW9624 | LTW962024 |
| S56DW94 | LFP5429 | LCR2029 | LTGSL54 | LCT9620 | LCW9629 | LTW962029 |

* Part number is for a set of two (street side and curb side)



Commercial Grade Truck Equipment SM

TREADPLATE LINERS

| Application | Front Panel Liner | Rear Liner * | Compartment Tailgate Liner | Compartment Top Liner * | Compartment Wall Liner * | Compartment Top & Wall Liner * |
|-------------|-------------------|--------------|----------------------------|-------------------------|--------------------------|--------------------------------|
| T56DW94 | LFP5424 | LCR2024 | LTGSL54 | N/A | N/A | LTW96TW24 |
| U6080 | LFP5119 | LCR1419 | LTGSL51 | LCT10814 | LCW10819 | LTW1081419 |
| J6080 | LFP5119 | LCR1419 | LTGSL51 | N/A | N/A | LTW108T19 |
| L6080 | LFP5124 | LCR1424 | LTGSL51 | LCT10814 | LCW10824 | LTW1081424 |
| S6080 | LFP5129 | LCR1429 | LTGSL51 | LCT10814 | LCW10829 | LTW1081429 |
| T6080 | LFP5124 | LCR1424 | LTGSL51 | N/A | N/A | LTW108T24 |
| U60D89 | LFP6019 | LCR1419 | LTGSL60 | LCT10814 | LCW10819 | LTW1081419 |
| J60D89 | LFP6019 | LCR1419 | LTGSL60 | N/A | N/A | LTW108T19 |
| L60D89 | LFP6024 | LCR1424 | LTGSL60 | LCT10814 | LCW10824 | LTW1081424 |
| S60D89 | LFP6029 | LCR1429 | LTGSL60 | LCT10814 | LCW10829 | LTW1081429 |
| T60D89 | LFP6024 | LCR1424 | LTGSL60 | N/A | N/A | LTW108T24 |
| U60DW89 | LFP4919 | LCR2019 | LTGSL49 | LCT10820 | LCW10819 | LTW1082019 |
| J60DW89 | LFP4919 | LCR2019 | LTGSL49 | N/A | N/A | LTW108TW19 |
| L60DW89 | LFP4924 | LCR2024 | LTGSL49 | LCT10820 | LCW10824 | LTW1082024 |
| S60DW89 | LFP4929 | LCR2029 | LTGSL49 | LCT10820 | LCW10829 | LTW1082029 |
| T60DW89 | LFP4924 | LCR2024 | LTGSL49 | N/A | N/A | LTW108TW24 |
| U60D94 | LFP6519 | LCR1419 | LTGSL65 | LCT10814 | LCW10819 | LTW1081419 |
| J60D94 | LFP6519 | LCR1419 | LTGSL65 | N/A | N/A | LTW108T19 |
| L60D94 | LFP6524 | LCR1424 | LTGSL65 | LCT10814 | LCW10824 | LTW1081424 |
| S60D94 | LFP6529 | LCR1429 | LTGSL65 | LCT10814 | LCW10829 | LTW1081429 |
| T60D94 | LFP6524 | LCR1424 | LTGSL65 | N/A | N/A | LTW108T24 |
| U60DW94 | LFP5419 | LCR2019 | LTGSL54 | LCT10820 | LCW10819 | LTW1082019 |
| J60DW94 | LFP5419 | LCR2019 | LTGSL54 | N/A | N/A | LTW108TW19 |
| L60DW94 | LFP5424 | LCR2024 | LTGSL54 | LCT10820 | LCW10824 | LTW1082024 |
| S60DW94 | LFP5429 | LCR2029 | LTGSL54 | LCT10820 | LCW10829 | LTW1082029 |
| T60DW94 | LFP5424 | LCR2024 | LTGSL54 | N/A | N/A | LTW108TW24 |
| U84D89 | LFP6019 | LCR1419 | LTGSL60 | LCT13214 | LCW13219 | LTW1321419 |
| J84D89 | LFP6019 | LCR1419 | LTGSL60 | N/A | N/A | LTW132T19 |
| L84D89 | LFP6024 | LCR1424 | LTGSL60 | LCT13214 | LCW13224 | LTW1321424 |
| S84D89 | LFP6029 | LCR1429 | LTGSL60 | LCT13214 | LCW13229 | LTW1321429 |
| T84D89 | LFP6024 | LCR1424 | LTGSL60 | N/A | N/A | LTW132T24 |
| U84DW89 | LFP4919 | LCR2019 | LTGSL49 | LCT13220 | LCW13219 | LTW1322019 |
| J84DW89 | LFP4919 | LCR2019 | LTGSL49 | N/A | N/A | LTW132TW19 |
| L84DW89 | LFP4924 | LCR2024 | LTGSL49 | LCT13220 | LCW13224 | LTW1322024 |
| S84DW89 | LFP4929 | LCR2029 | LTGSL49 | LCT13220 | LCW13229 | LTW1322029 |
| T84DW89 | LFP4924 | LCR2024 | LTGSL49 | N/A | N/A | LTW132TW24 |

* Part number is for a set of two (street side and curb side)



Commercial Grade Truck Equipment SM

TREADPLATE LINERS

| Application | Front Panel Liner | Rear Liner * | Compartment Tailgate Liner | Compartment Top Liner * | Compartment Wall Liner * | Compartment Top & Wall Liner * |
|-------------|-------------------|--------------|----------------------------|-------------------------|--------------------------|--------------------------------|
| U84D94 | LFP6519 | LCR1419 | LTGSL65 | LCT13214 | LCW13219 | LTW1321419 |
| J84D94 | LFP6519 | LCR1419 | LTGSL65 | N/A | N/A | LTW132T19 |
| L84D94 | LFP6524 | LCR1424 | LTGSL65 | LCT13214 | LCW13224 | LTW1321424 |
| S84D94 | LFP6529 | LCR1429 | LTGSL65 | LCT13214 | LCW13229 | LTW1321429 |
| T84D94 | LFP6524 | LCR1424 | LTGSL65 | N/A | N/A | LTW132T24 |
| U84DW94 | LFP5419 | LCR2019 | LTGSL54 | LCT13220 | LCW13219 | LTW1322019 |
| J84DW94 | LFP5419 | LCR2019 | LTGSL54 | N/A | N/A | LTW132TW19 |
| L84DW94 | LFP5424 | LCR2024 | LTGSL54 | LCT13220 | LCW13224 | LTW1322024 |
| S84DW94 | LFP5429 | LCR2029 | LTGSL54 | LCT13220 | LCW13229 | LTW1322029 |
| T84DW94 | LFP5424 | LCR2024 | LTGSL54 | N/A | N/A | LTW132TW24 |
| L108D94 | LFP6524 | LCR1424 | LTGSL65 | LCT15614 | LCW15624 | LTW1561424 |
| S108D94 | LFP6529 | LCR1429 | LTGSL65 | LCT15614 | LCW15629 | LTW1561429 |
| T108D94 | LFP6524 | LCR1424 | LTGSL65 | N/A | N/A | LTW156T24 |
| 108DW94 | LFP5424 | LCR2024 | LTGSL54 | LCT15620 | LCW15624 | LTW1562024 |
| S108DW94 | LFP5429 | LCR2029 | LTGSL54 | LCT15620 | LCW15629 | LTW1562029 |
| T108DW94 | LFP5424 | CR2024 | LTGSL54 | N/A | N/A | LTW156TW24 |
| L120D94 | LFP6524 | CR1424 | LTGSL65 | LCT16814 | LCW16824 | LTW1681424 |
| S120D94 | LFP6529 | CR1429 | LTGSL65 | LCT16814 | LCW16829 | LTW1681429 |
| T120D94 | LFP6524 | LCR1424 | LTGSL65 | N/A | N/A | LTW168T24 |
| L120DW94 | LFP5424 | LCR2024 | LTGSL54 | LCT16820 | LCW16824 | LTW1682024 |
| S120DW94 | LFP5429 | LCR2029 | LTGSL54 | LCT16820 | LCW16829 | LTW1682029 |
| T120DW94 | LFP5424 | LCR2024 | LTGSL54 | N/A | N/A | LTW168TW24 |
| E60D89 | LFP6027 | LCR1427 | LTGSL60 | LCT10814 | LCW10827 | LTW1081427 |
| E60DW89 | LFP4927 | LCR2027 | LTGSL49 | LCT10820 | LCW10827 | LTW1082027 |
| E60D94 | LFP6527 | LCR1427 | LTGSL65 | LCT10814 | LCW10827 | LTW1081427 |
| E60DW94 | LFP5427 | LCR2027 | LTGSL54 | LCT10820 | LCW10827 | LTW1082027 |
| E84D89 | LFP6027 | LCR1427 | LTGSL60 | LCT13214 | LCW13227 | LTW1321427 |
| E84DW89 | LFP4927 | LCR2027 | LTGSL49 | LCT13220 | LCW13227 | LTW1322027 |
| E84D94 | LFP6527 | LCR1427 | LTGSL65 | LCT13214 | LCW13227 | LTW1321427 |
| E84DW94 | LFP5427 | LCR2027 | LTGSL54 | LCT13220 | LCW13227 | LTW1322027 |
| E102D94 | LFP6527 | LCR1427 | LTGSL65 | LCT14414 | LCW14427 | LTW1441427 |
| E102DW94 | LFP5427 | LCR2027 | LTGSL54 | LCT14420 | LCW14427 | LTW1442027 |
| E108D94 | LFP6527 | LCR1427 | LTGSL65 | LCT15614 | LCW15627 | LTW1561427 |
| E108DW94 | LFP5427 | LCR2027 | LTGSL54 | LCT15620 | LCW15627 | LTW1562027 |
| E120D94 | LFP6527 | LCR1427 | LTGSL65 | LCT16814 | LCW16827 | LTW1681427 |
| E120DW94 | LFP5427 | LCR2027 | LTGSL54 | LCT16820 | LCW16827 | LTW1682027 |

* Part number is for a set of two (street side and curb side)



| Application | Front Panel Liner | Rear Liner * | Compartment Tailgate Liner | Compartment Top Liner * | Compartment Wall Liner * | Compartment Top & Wall Liner * |
|-------------|-------------------|--------------|----------------------------|-------------------------|--------------------------|--------------------------------|
| C60DW89 | STD | LCR2027 | STD | | | STD |
| C60DW94 | STD | LCR2027 | STD | | | STD |
| C84DW89 | STD | LCR2027 | STD | | | STD |
| C84DW94 | STD | LCR2027 | STD | | | STD |
| C108DW94 | STD | LCR2027 | STD | | | STD |
| C120DW94 | STD | LCR2027 | STD | | | STD |

* Part number is for a set of two (street side and curb side)

Installation Part Numbers

| Part # | Description |
|----------|--|
| BINSTLCR | Install liner compartment rear |
| BINSTLCT | Install liner compartment top |
| BINSTLCW | Install liner compartment wall |
| BINSTLTW | Install liner compartment top and wall |
| BINSTLFP | Install liner front panel |
| BINSTLTG | Install liner tailgate |

TREADPLATE LINERS - ALUMINUM

| Model | Description |
|-------------|-----------------------|
| LCT10814A | Top 108" x 14" |
| LCT10814CA | Top w/ CRK 108" x 14" |
| LCT10814TA | Lid 108" x 14" |
| LCT10814TCA | Lid w/ CRK 108" x 14" |
| LCT10820A | Top 108" x 20" |
| LCT10820CA | Top w/ CRK 108" x 20" |
| LCT10820TA | Lid 108" x 20" |
| LCT10820TCA | Lid w/ CRK 108" x 20" |
| LCT13214A | Top 132" x 14" |
| LCT13214CA | Top w/ CRK 132" x 14" |
| LCT13214TA | Lid 132" x 14" |
| LCT13214TCA | Lid w/ CRK 132" x 14" |
| LCT13220A | Top 132" x 20" |
| LCT13220CA | Top w/ CRK 132" x 20" |
| LCT13220TA | Lid 132" x 20" |
| LCT13220TCA | Lid w/ CRK 132" x 20" |
| LCT9614A | Top 96" x 14" |
| LCT9614CA | Top w/ CRK 96" x 14" |

| | |
|------------|----------------------|
| LCT9614TA | Lid 96" x 14" |
| LCT9614TCA | Lid w/ CRK 96" x 14" |
| LCT9620A | Top 96" x 20" |
| LCT9620CA | Top w/ CRK 96" x 20" |
| LCT9620TA | Lid 96" x 20" |
| LCT9620TCA | Lid w/ CRK 96" x 20" |

Aluminum Treadplate Liners are priced **per side**, a quantity of two will be needed for each body. The price includes mounting hardware. Aluminum treadplate liners for top opening models 132" and longer service bodies are priced for the double lids; a quantity of two liners will be furnished per side. All aluminum treadplate liners are shipped loose.

Putting together a part number is as follows:

- LCT10820A - Aluminum compartment top liner for a 108" long compartment that is 20" deep.
- LCT10814TA - Aluminum compartment top liner for a 108" long compartment with tip top lids that is 14" deep.
- LCT9620TCA - Aluminum compartment top liner for a 96" long compartment with tip top lids and crane reinforcement that is 20" deep. Please specify which side has the crane reinforcing when placing an order.